



**DATE:**

May 2013

**DESCRIPTION:**

ARB Rear bar

**APPLICATION:**

YJ/TJ Jeep

**PART NO. :**

5650310 (Rear Bar)

5750300 (Tire Carrier)

**PRICE:**

Jobber \$ 728.40 (Rear Bar)

Jobber \$ 739.50 (Tire Carrier)

MAP \$ 761.18 (Rear Bar)

MAP \$ 772.78 (Tire Carrier)

**UPC:**

Rear Bar - 9332018025784

Tire Carrier - 9332018004352

**FITTING:**

Rear Bar - 1.5 Hour

Tire Carrier - 2 Hours

**AVAILABILITY DATE:**

In stock



# PRODUCT SPECIFICATION

## DESIGN & DEVELOPMENT:

The latest TJ/YJ Jeep ARB rear bar has been designed to be simple and light weight with the ability to add a swing away tire carrier that takes the weight of the wheel off the rear door.

Incorporating two 20mm recovery eyelets designed to receive a 5.25 ton shackle pin and two Hi-Lift jacking points, the rear bar can be fitted as a protection device on its own, allowing the original spare to remain mounted to the rear door. Alternatively, the rear bar can be optioned with the new "catchless" design tire carrier which can carry up to 35 inch spare tire and rim combinations. The tire carrier opens automatically when the vehicle tailgate is opened and has adjustment for up to 1 inch body lift kits.

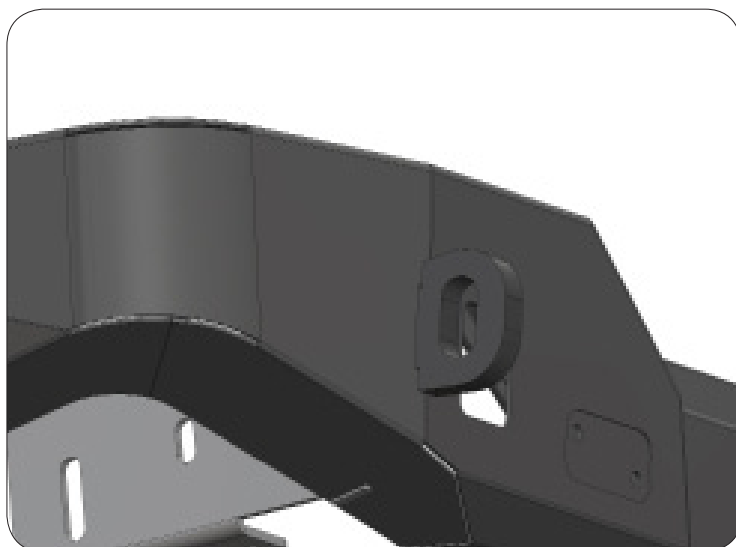
Manufactured from 3mm laser cut and folded steel sheet, the upswept wings give superior departure angle while protecting the rear quarter panels from damage. The center pan section is recessed to allow for fitment of larger than standard tires to the carrier.

The rear bar includes a tow hitch rated to 2000 lbs for TJ/YJ Jeep models and 3500 lbs for TJ/YJ Jeep Unlimited models (long wheelbase.)

## RECOVERY POINTS:

Recovery points manufactured from flame cut 20mm steel plate pass through the rear bar and are welded to the mounting bracket uprights for extra reinforcement.

The rear bar recovery points also include an elongated slot so that the shackle bow can be passed through the point, allowing the shackle to pivot when pulling from slight angles.



## HI-LIFT JACKING POINTS:

Designed primarily for Hi-Lift brand jacks, the Hi-Lift jacking point is reinforced with 4mm steel plate to prevent distortion or damage. When the jack leg is inserted into the point, the lip of the jack foot locates past the internal reinforcing plate to prevent slippage.

When not in use, jacking points are fitted with a rubber plug.



## KNOCK OUT :

Laser cut holes are provided in the rear bar for fitment of the tire carrier. If no carrier is to be fitted, the knock out sections are simply left in place.



## FOG LIGHT BRACKET :

The tire carrier (common to TJ/YJ and JK) includes a mounting bracket for the factory/OE fog light or aftermarket backup light.



## TAILGATE SUPPORT :

The tailgate support incorporates a plastic cup assembly that gives full support to the tire carrier while allowing for movement between the chassis and body. The adjustable tie rod connects the carrier arm to the door, allowing the arm to move with the door as it is opened and closed, negating the need for a separate catch assembly.



## PLASTIC BEARING ASSY :

Machined plastic bushes are used as bearings in the tire carrier hub. These should require no future adjustment or servicing.

